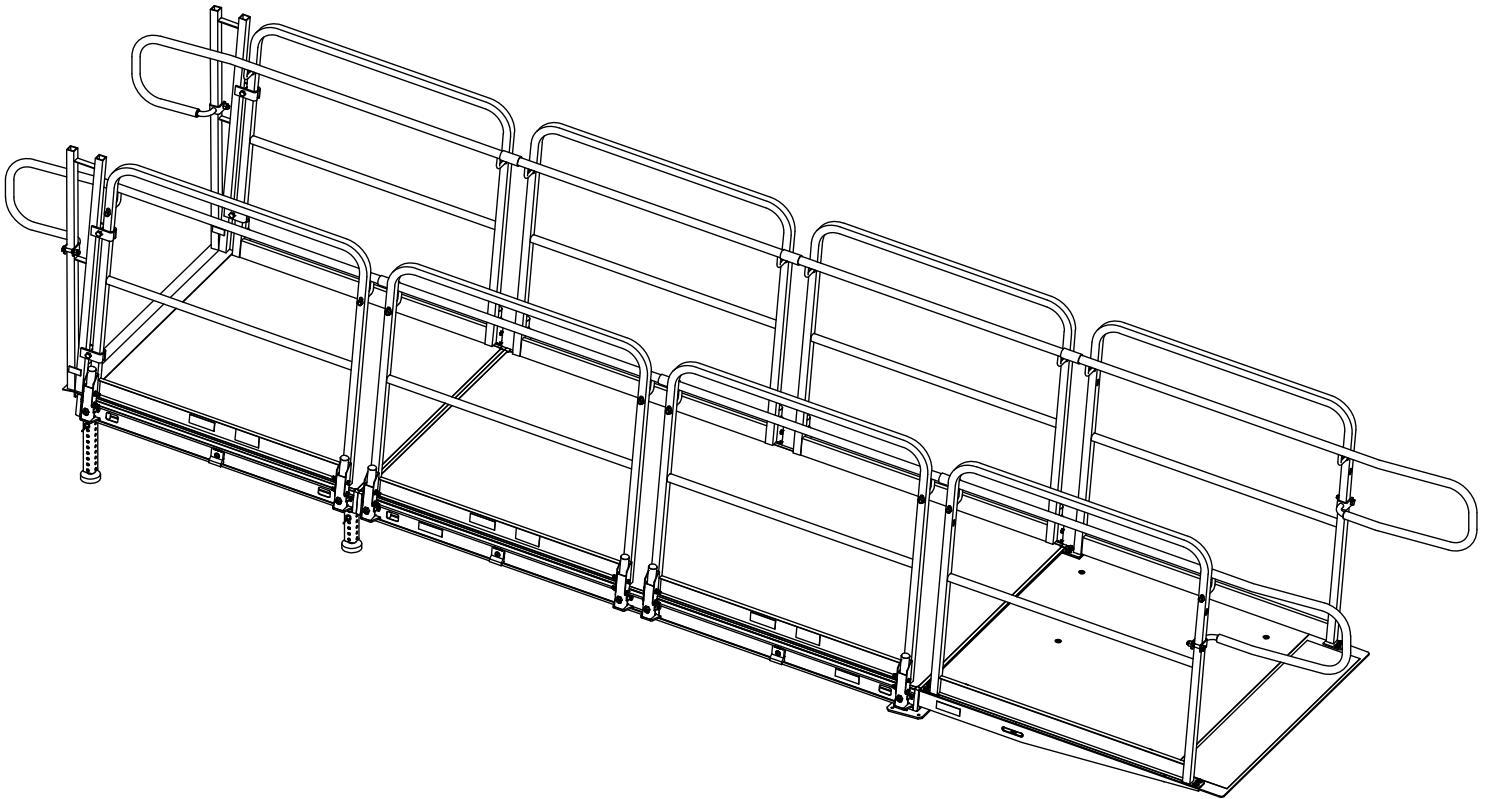


# ADA RAMP

## AS2100

# Assembly Instructions

All Drawings Are For Illustration Only.



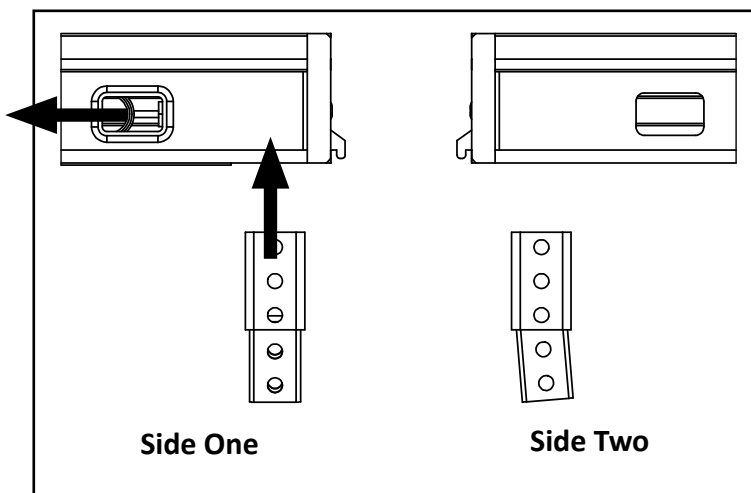
**BILJAX**  
Haulotte 

## STEP 1 - INSTALLING FREE STANDING RAMP

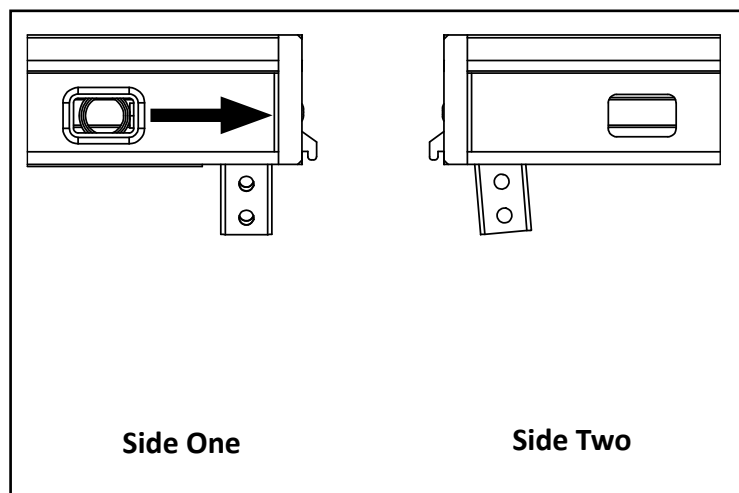
A ramp should be installed at a 1" of rise to 12" of run. The height of a run is limited to 30" maximum before a landing is required. Determine the size and location of ramp. Example: a 24" tall stage will require a 24' long ramp.

- A) Start at top of ramp. Determine amount of decks required. If a 4' x 4' deck is required, begin with it. Example: 24" tall stage = 4' deck + 8' deck + 8' deck + 4' starter ramp.
- B) Pull and hold pin in the unlocked position.
- C) Fully insert a ramp leg adapter in the leg socket so that it touches the bottom of the stage deck.
- D) Release pin to lock leg adapter in place.
- E) Tighten the leg socket wing bolt at each corner socket (underside of stage) where a leg adapter is installed.
- F) Attach 1-3/4" sq. leg to ramp adapter with 2-3/8" snap pin. Leg length (without base pad) is approximately 6" shorter than desired height of ramp at leg position.

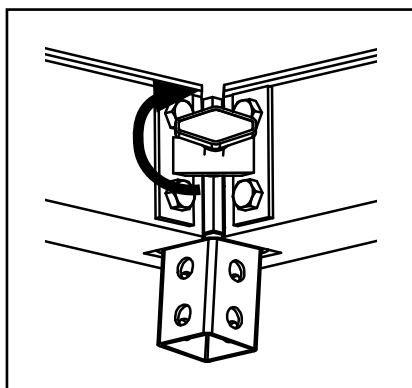
**B**



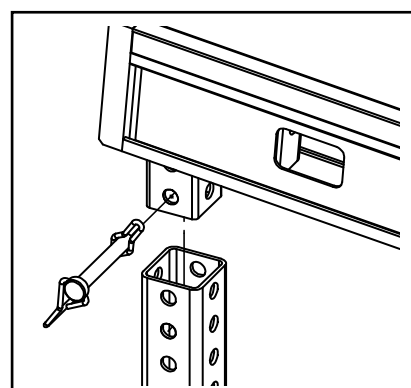
**D**



**E**

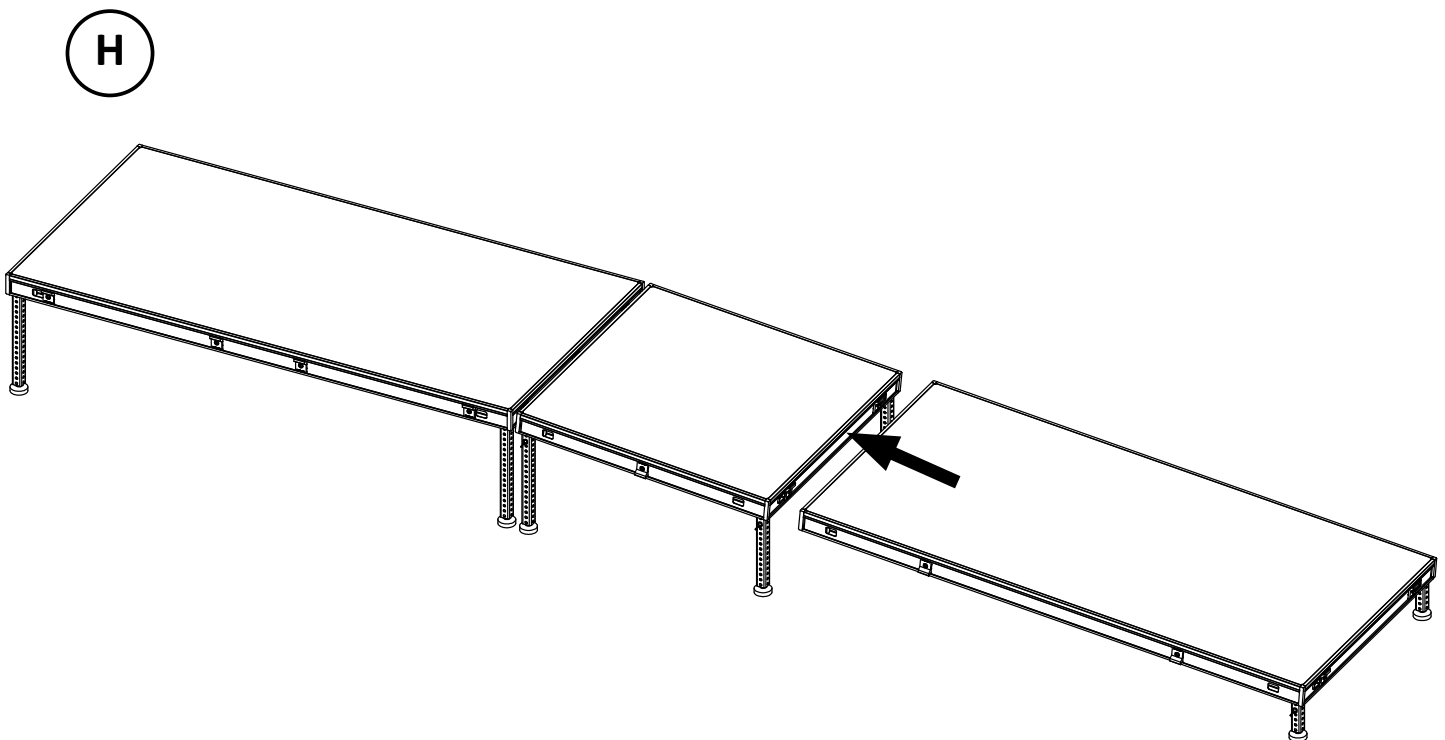
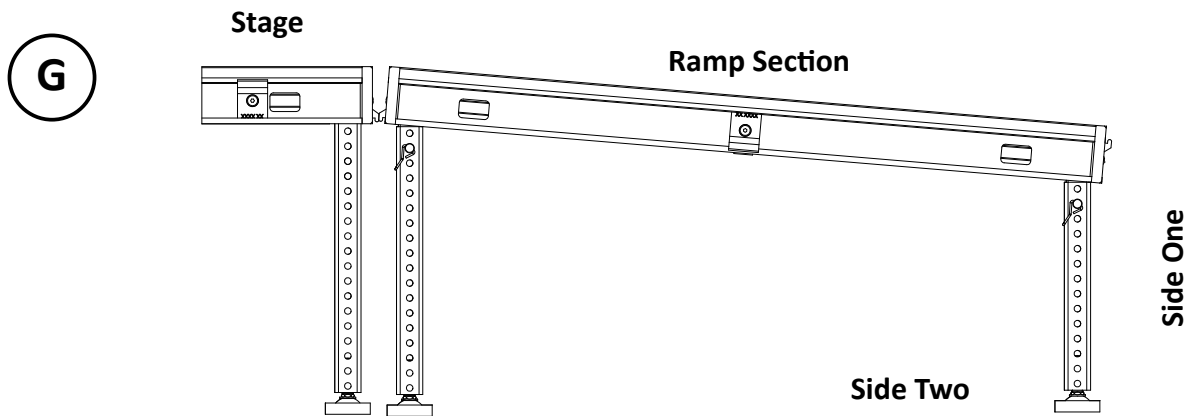


**F**



## STEP 1 - INSTALLING FREE STANDING RAMP (continued)

- G) Place deck with four legs against stage. **NOTE: Downward facing side rail hooks must be against stage and upward facing side rail hooks must be at lower end of ramp.**
- H) Insert two legs into stage deck (per Steps 1B – 1F) and attach to previous stage ramp deck by inserting the downward facing rail hook into the stage deck channel and lowering onto the upward facing rail hooks.

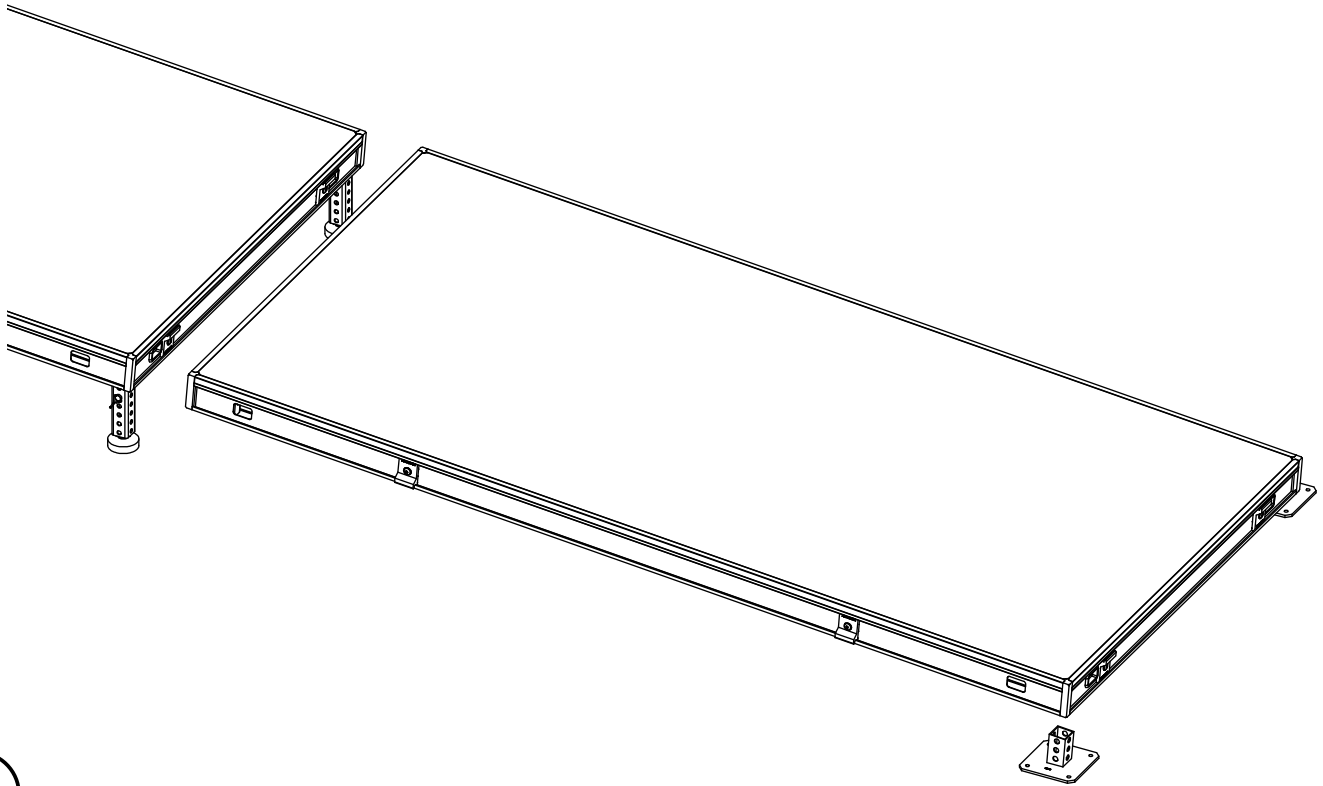


## STEP 1 - INSTALLING FREE STANDING RAMP (continued)

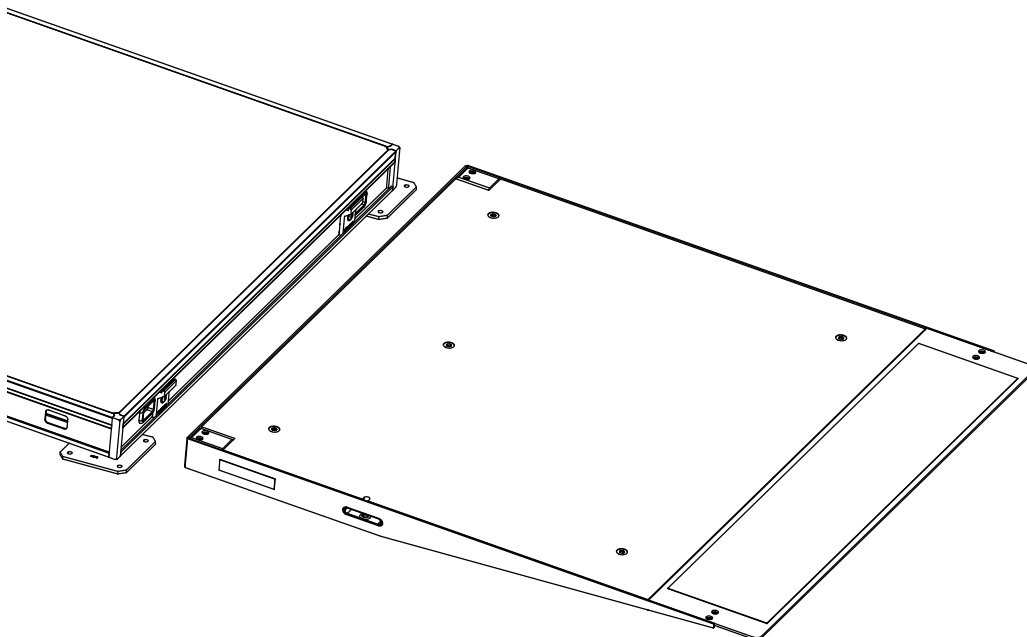
- I) The last ramp stage deck will be approximately 4" above ground level and will require ramp base plates instead of leg adapters and legs.
- J) To complete ramp, place ramp end on upward facing rail hooks of previous ramp.

Note: If a wider ramp is desired, follow instructions but simply attach a second row of stage decks side by side for each step as assembly proceeds.

I



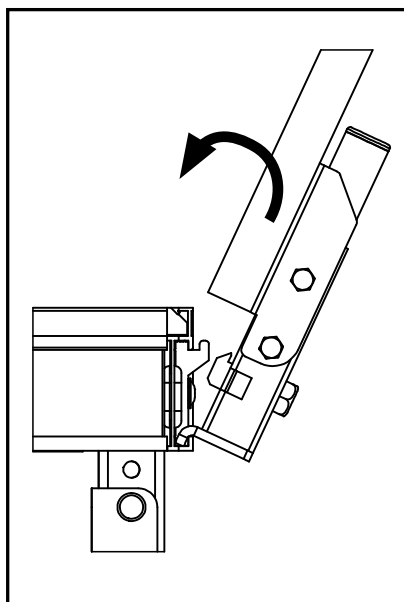
J



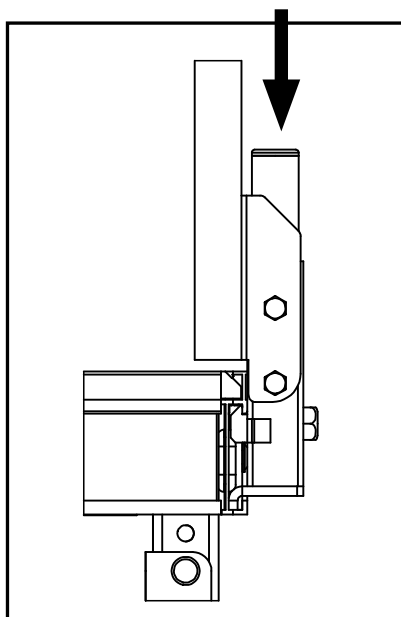
## STEP 2 - ATTACHING RAMP GUARD RAILS

- A) Start at top of ramp. Set the lower lip of the two guard rail locks inside the stage deck channel along the sides of the stage deck ramp.
- B) Pivot guard rail toward the ramp until there is a “click” sound. This fully seats the T-Lock within the stage deck channel. Press down on plunger if necessary to seat T-Lock.
- C) Tighten the hex nut on each lock to fully secure guard rail.
- D) The ramp end requires a special guard rail. Attach with four washers and 3/8" x 1" bolts.

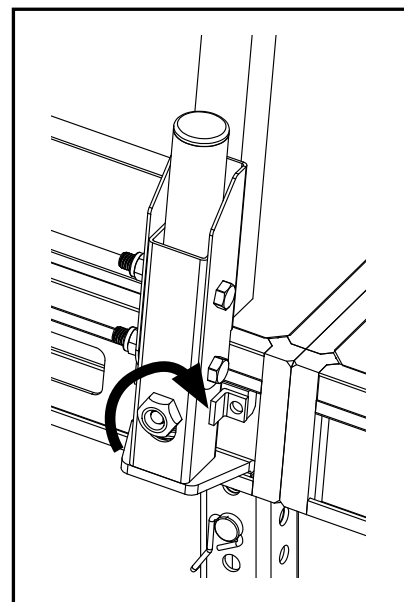
**! WARNING ! – Failure to correctly install guard rails could result in serious injury or death. Verify that each T-Lock is fully seated inside the stage deck channel and hex nut is tightened.**



A

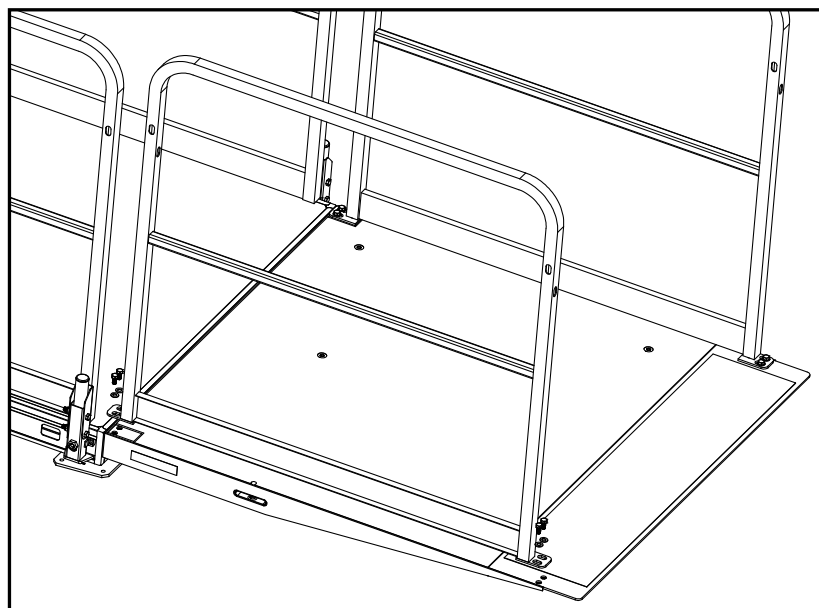


B



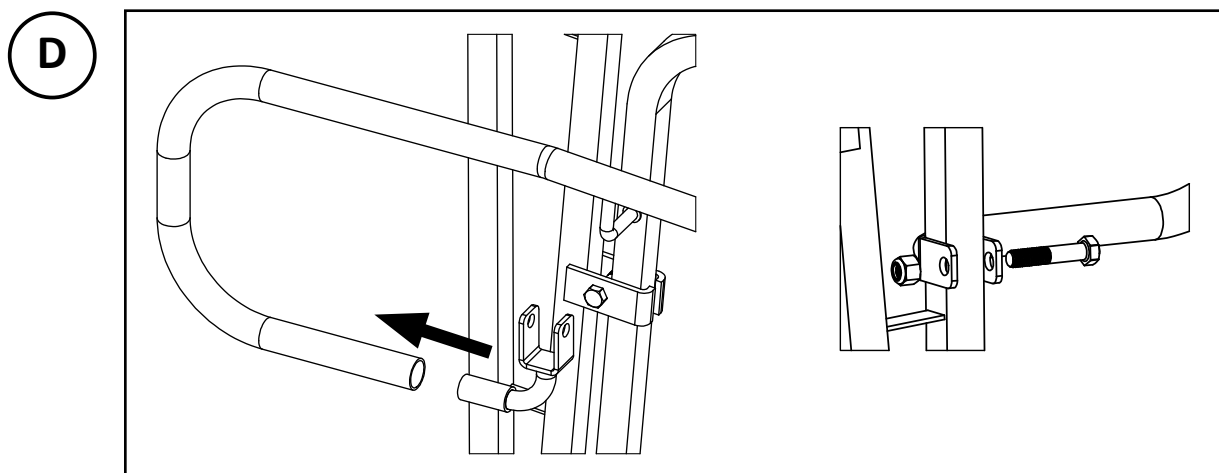
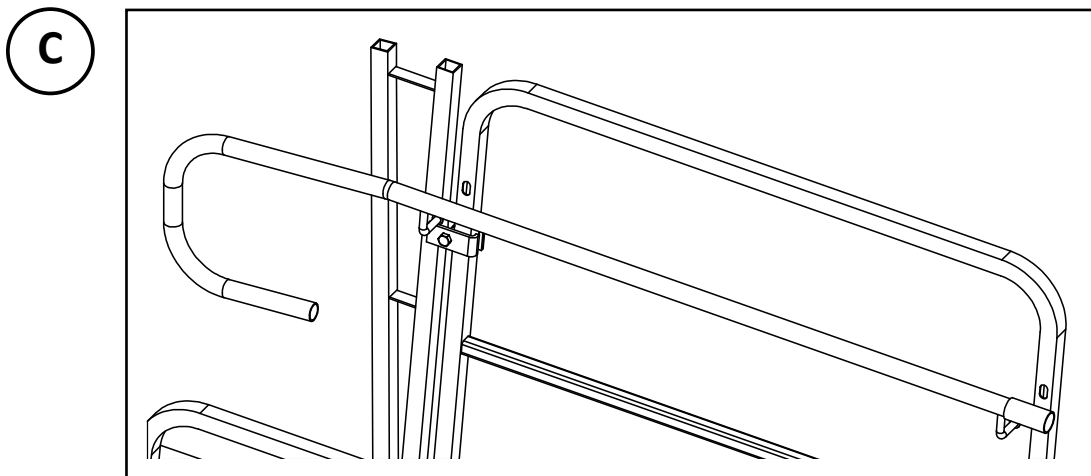
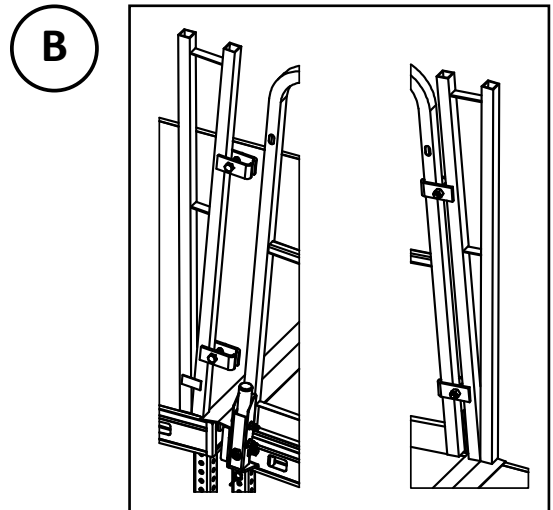
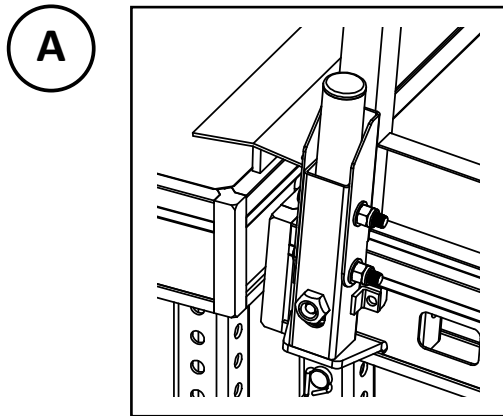
C

D



## STEP 3 - INSTALLING RAMP HAND RAILS

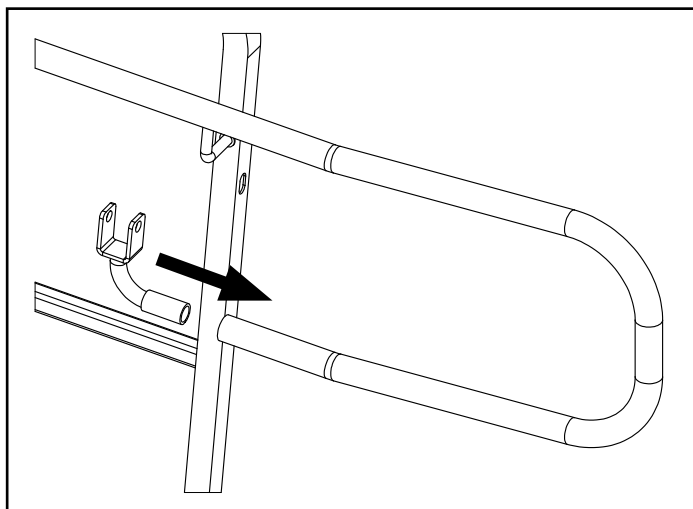
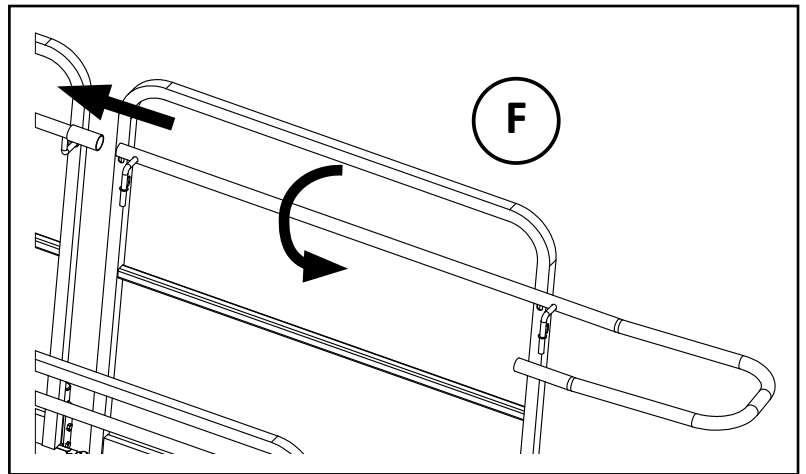
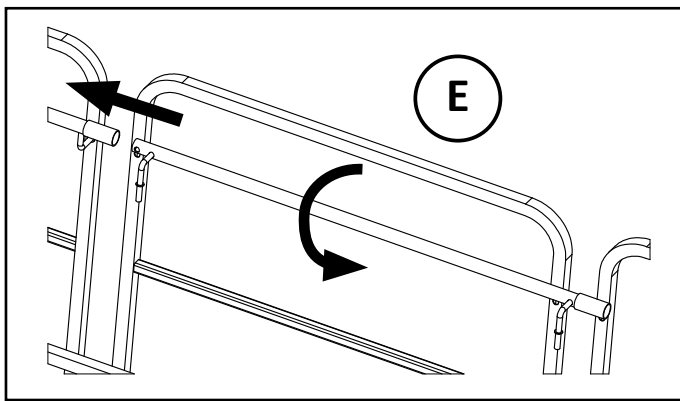
- A) Start at top of ramp. Insert ramp filler plate in gap between stage and ramp.
- B) Attach filler guard rails at top of ramp by placing clamps around guard rail leg and tightening hex nuts.
- C) Attach upper hand rails by placing L-bolts into slots of guard rail. Attach hex nuts. Do not tighten so adjustments can be made as assembled.
- D) Insert end of hand rail support return into end of upper hand rail and rotate so the saddle is around tube of filler guard rail. Insert bolt and attach and tighten hex nut.



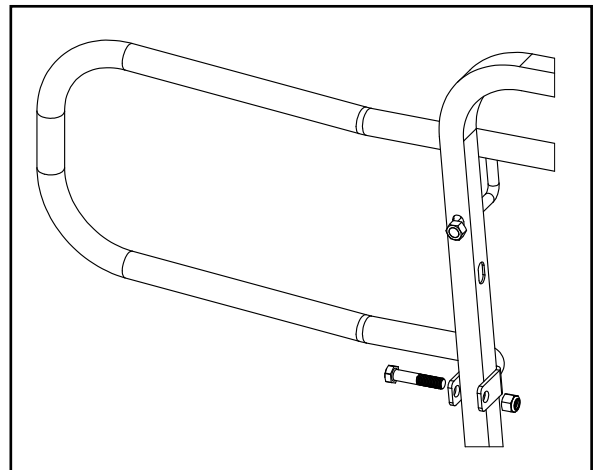
### STEP 3 - INSTALLING RAMP HAND RAILS (continued)

- E) Insert 4' hand rail tube into end of upper hand rail and rotate so the L-bolts are in the slots of guard rail. Loosely attach hex nuts. Repeat until reaching ramp end guard rail.
- F) Insert lower hand rail into 4' hand rail tube and rotate so the L-bolts are in the slots of ramp end guard rail. Loosely attach hex nuts.
- G) Insert end of hand rail support return into end of lower hand rail and rotate so the saddle is around tube of guard rail. Insert bolt and attach and tighten hex nut.
- H) Repeat steps for hand rails on other side of ramp.
- I) **Thoroughly tighten all hex nuts.**

**! WARNING ! – Failure to correctly install hand rails could result in serious injury or death. Verify that all hex nuts are tightened.**



**G**



# ADA RAMP

## AS2100

# Assembly Instructions



125 Taylor Parkway  
Archbold, OH 43502

Phone: 419.445.8915  
Toll Free: 800.537.0540  
Fax: 419.445.0367

[biljax.com](http://biljax.com)

©2022 BilJax, Inc.

P/N" LL-204-98  
Last Revision: May 2022