

# Original Multipurpose Utility Scaffold



## Product Description

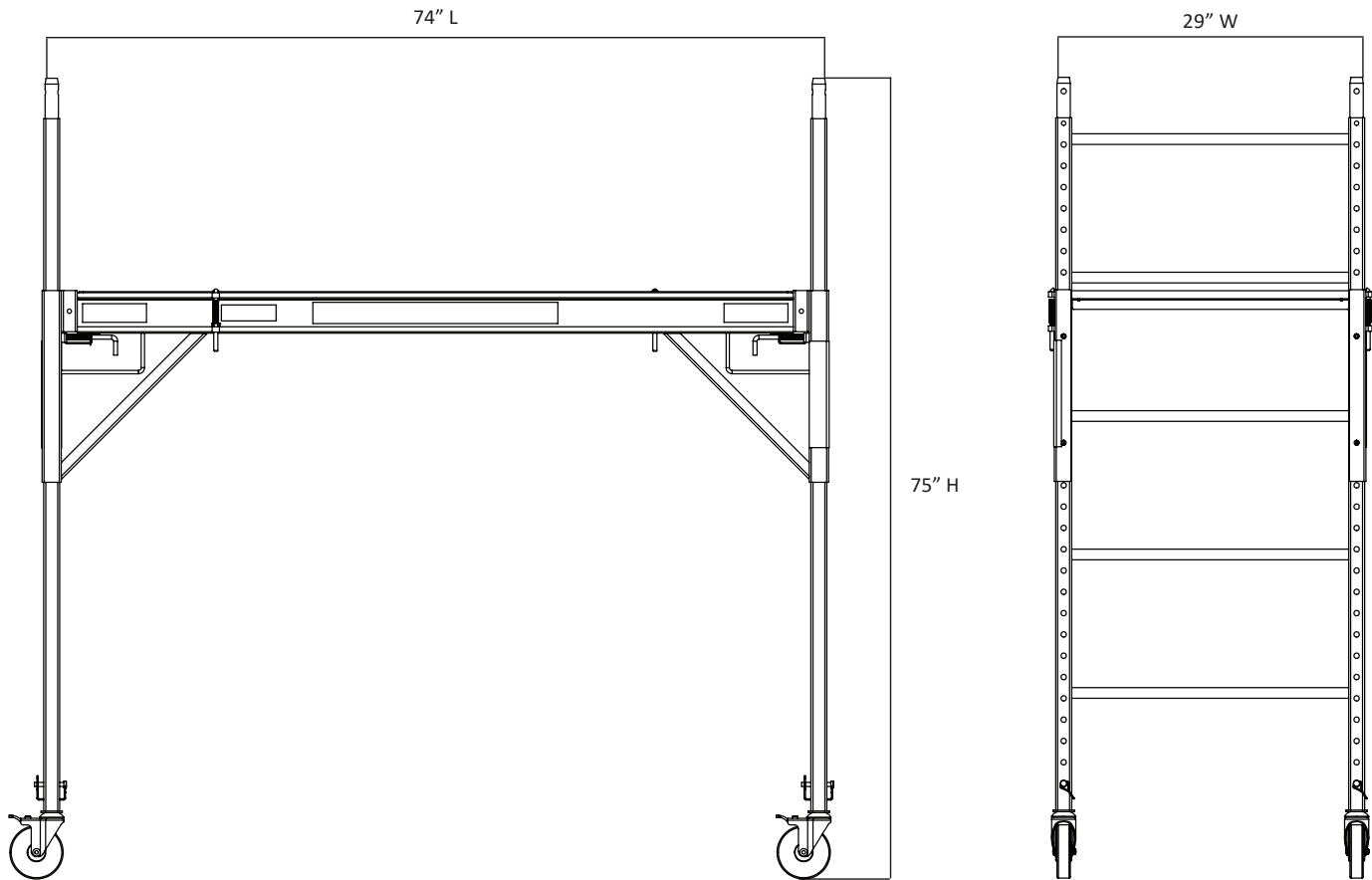
The safest way to finish your work at height, spanning up to 6' high. Assemble yourself and adjust the height every 2" when needed. Can be used on stairs with casters removed and stacked two high. Great for electrical, painting, building maintenance and so much more. Say goodbye to ladders and hello to utility scaffolds.

## Features & Benefits

- Powder coated for durability
- Solid rubber casters
- 29" W - fit through doorways
- Stacked two high
- Used on stairs

## TECHNICAL SPECIFICATIONS

# Original Multipurpose



TECHNICAL SPECIFICATIONS	
Dimensions (L x W x H)	74" x 29" x 75"
Weight	159 lb
Material	Steel (15 gauge for outer ladder)
Capacity	1,000 lb
Platform Height Range	2' - 4'
Maximum Platform Height	4'
Overall Height	6'
Finish	Powder coated
Platform	Plywood
Caster	5"
Guardrails	No
Outriggers	No
Certifications	ANSI, OSHA
Part #	C130-006-0YE
PART #s	
C130-149-06	Guard Rails
C130-150-18	Outriggers- 18"